



Persee+

With System Installation Guide

Persee+ Introduction	02
Preparation for System Installation	04
System Download	05
Accessing Android Storage from Computer	05
Packing List	06
Product Certifications	06



1. Persee+ Introduction

1.1 Front View



1.2 Back View



1.3 Product Image

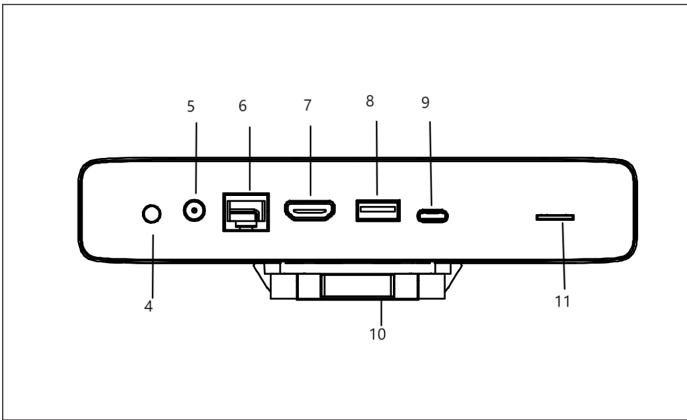
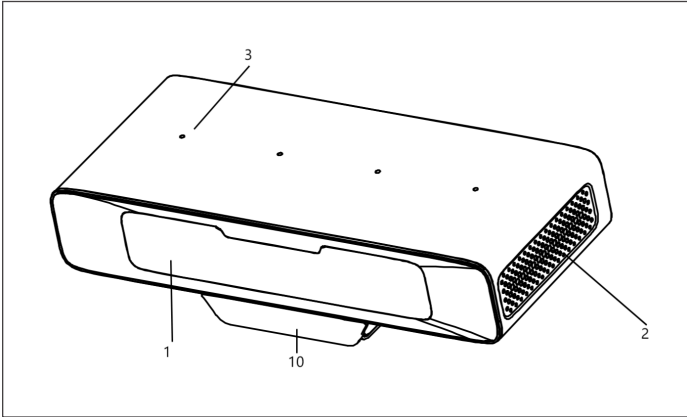


1.4 Specifications

Parameter	Properties
Range	0.6-8m
Depth Resolution Framerate	Up to 640x480@30FPS
RGB Resolution Framerate	Up to 1920x1080@30FPS;
Depth FOV	H57° ±5°, V45.2±5°, D68.76° ±5°
RGB FOV	H69.2° ±5°, V52° ±5°, D80.39° ±5°
Data Transfer	USB Type-C, USB Type-A
Operating System	Android / Linux
Power	Power Adapter (12V/2A)
Operating Temperature	0°C ~ 30°C (Additional heat dissipation required for long term operation with environment temperature over 30°C)
Rating	Class 1 Laser Product
SDK	Orbbec SDK
Processor	Amlogic A311D Quad Core A73+ Dual Core A53 with NPU
RAM	4GB
Storage	32GB eMMC
Micro SD	Up to 128GB
HDMI	HDMI 2.0
Wifi/BT	802.11a/b/g/n/ac, Bluetooth 5.0
Ethernet	RJ45 Gigabit Ethernet
Microphone	4 Microphone Linear Microphone Array
Remote	Infrared
Dimensions	178 x 45.7 x 75mm

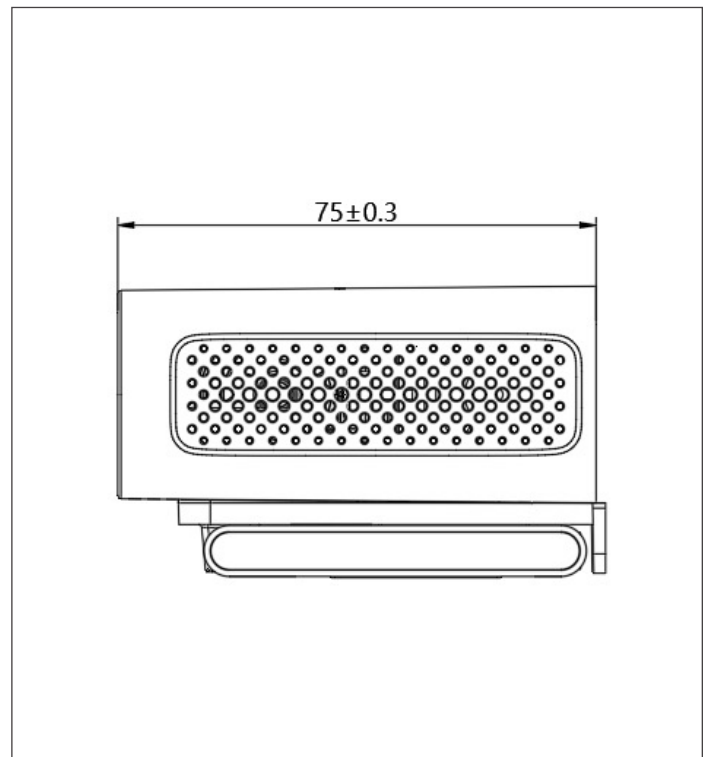
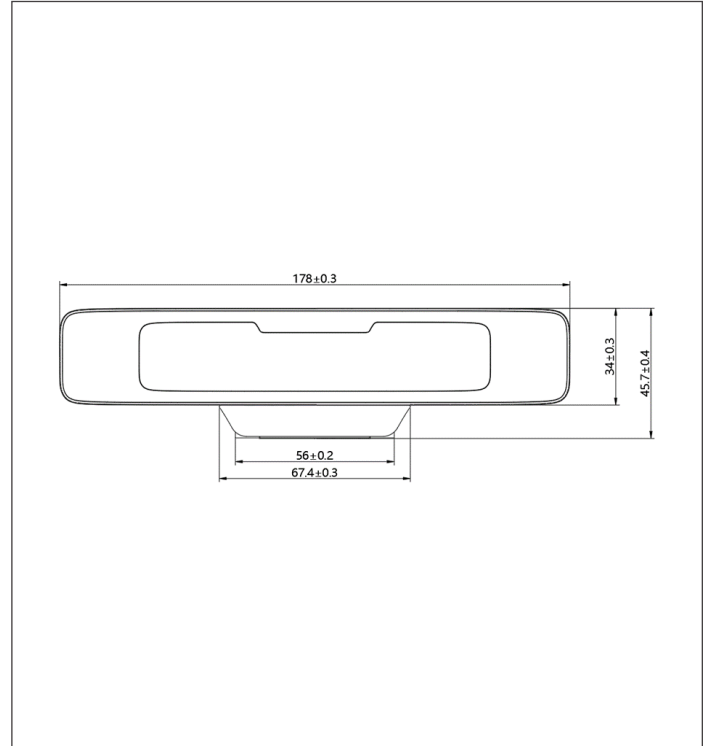
Persee+ Introduction (continued from previous page):

1.5 Hardware Interfaces



1	Orbbec Astra+
2	Air Vents
3	Microphone Array
4	3.5mm Audio Output (with Update Buttons)
5	DC-IN (12V Input)
6	Gigabit Ethernet
7	HDMI Out
8	USB 2.0
9	USB 2.0 Type C (Debug and Firmware Update)
10	Removable Mount
11	MicroSD Expansion Slot

1.6 Product Dimensions



2. Preparation for System Installation

2.1 Installation Guide for Android/Ubuntu System

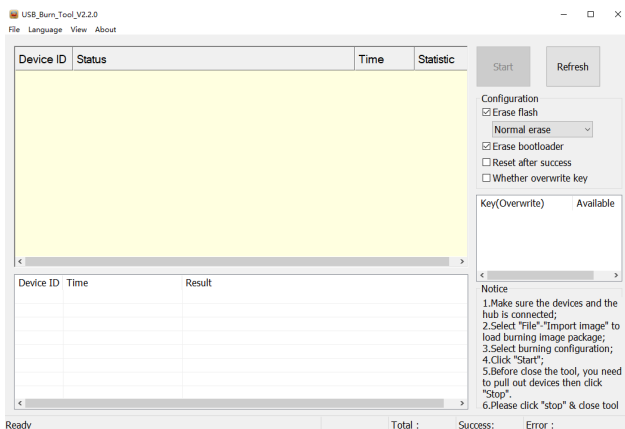
Configuration Requirements for Computers

- Windows operating system
- Antivirus software may need to be turned off
- High-speed USB 2.0 or USB 3.0 interface
- USB Burn Tool installed

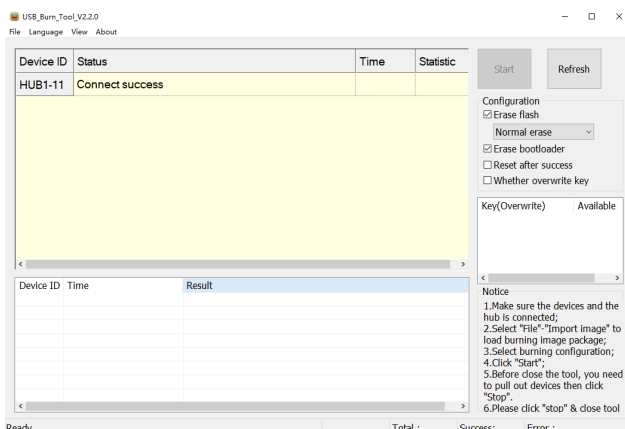
[Click to Download USB Burning Tool](#)

2.2 Installation Procedure

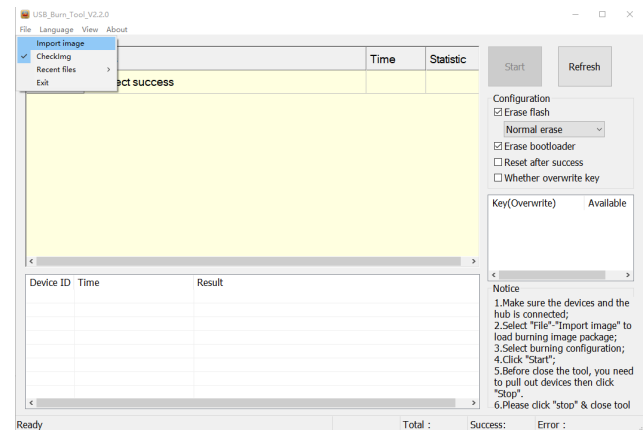
- Open the software "USB Burn Tool V2.2.x"
- Long press the update button (inside the 3.5mm headphone jack)
- While holding the button, use USB cable to connect the camera to the computer



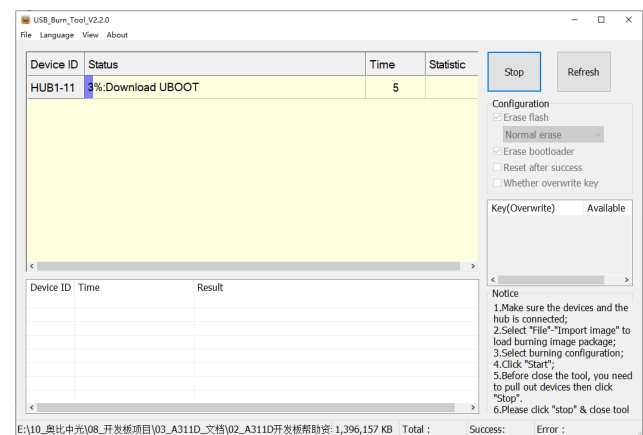
d. USB Burning Tool successfully connected to camera



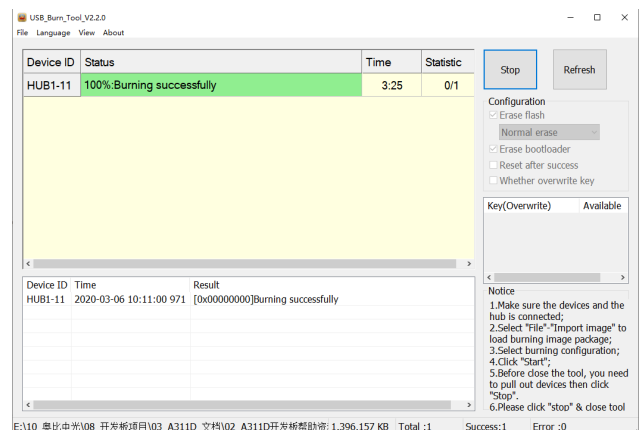
e. Import System Image (x.img)



f. Click the start button to start the update process



g. Complete system installation, click the stop button then close the software



h. Ubuntu 18.04 Login Information

The default username of the system is 'orbdec', default password: 'orbdec'

3. System Download

Android:

[Click to Download Latest Android System Image](#)

Ubuntu:

[Click to Download Latest Ubuntu System Image](#)

4. Accessing Android Storage from Computer

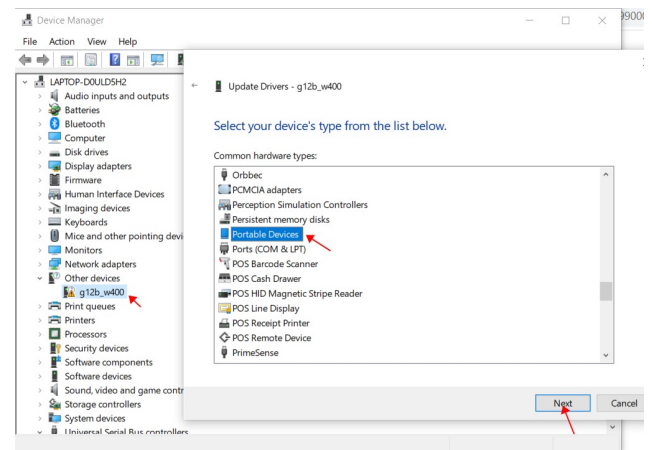
On Persee+:

- Connect to the computer via USB Type C
- Go to settings on Persee+,
Select 'Device Preferences' – 'About' – 'Build'
- Click on 'Build' for multiple times until a message indicates the 'Developer Options' setting is available
- Go back to 'Device Preferences' and select 'Developer Options'
- Scroll down to find 'USB Configuration' under 'Networking'
- Select MTP (media transfer protocol)

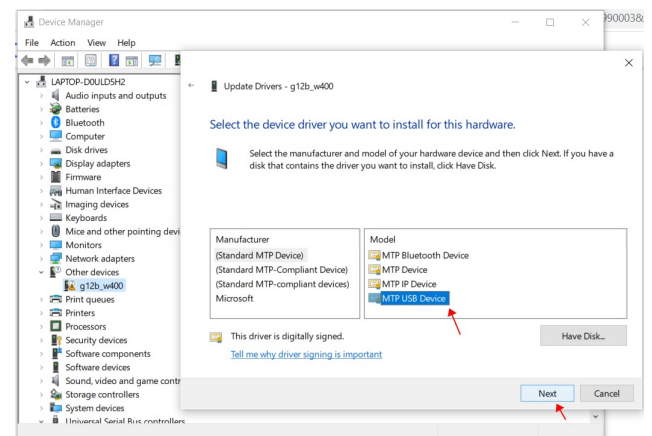
On Computer:

- Go to Device Manager
- Right click on the device if driver is not already installed and select update driver
- Click on 'Browse my computer for drivers', then 'Let me pick from a list of available drivers on my computer'

- Select 'Portable Devices' as shown below



- Then select 'MTP USB Device', and click next to install



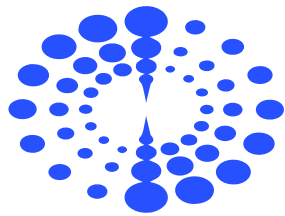
- The Persee+ drive should show in file explorer now

5. Packing List

- Persee+ x 1
- Infrared Remote x 1
- Power Adapter x 1
- HDMI Cable x 1

6. Product Certifications

Certifications	Availability	Comments
FCC ID	YES	
TELEC	YES	
CE	YES	
RoHS	YES	
Laser Safety	YES	Class 1



ORBBEC